



EFM32 Giant Gecko STK


Board Function	Page
Title Page	1
User Interface	2
Signal Assignments	3
EFM32 I/O	4
EFM32 Power	5
LCD	6
Power & Misc	7
Advanced Energy Monitor	8
Debug Interface	9
Board Controller	10

Revision History

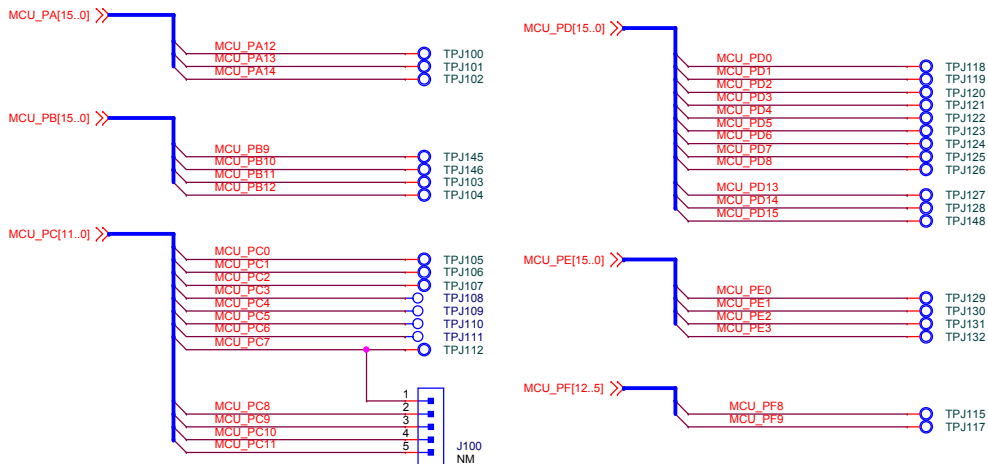
Rev.	Description
A00	Incorporated new AEM solution. Added capacitor for backup power domain.
A01	Cleanup of unused parts. Removed legacy AEM and sense range 3.
A02	Updated EFM32 to Giant Gecko Rev.D
A03	Fixed PCB error. Added test points for EFM32 USB. Update: Fixed EXP pinout description (documentation change only)



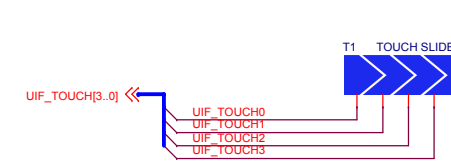
STK

 SILICON LABS		Schematic Title	
		EFM32 Giant Gecko Starter Kit	
Designed: DDB		Approved: JNO	
Page Title		Title Page	
Size A3	BOM Doc No:	Document number BRD2200A	Revision A03
Design Created Date: Wednesday, December 03, 2008	Sheet Created Date Saturday, March 21, 2009	Sheet Modified Date Tuesday, April 18, 2017	Sheet 1 of 10

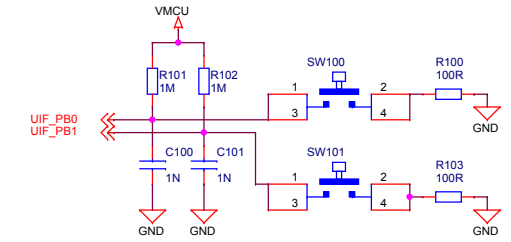
Breakout Connections



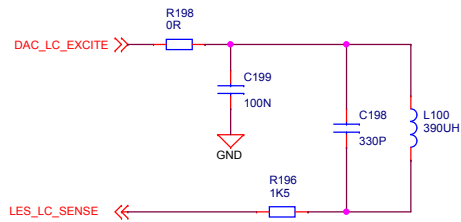
Touch Slider



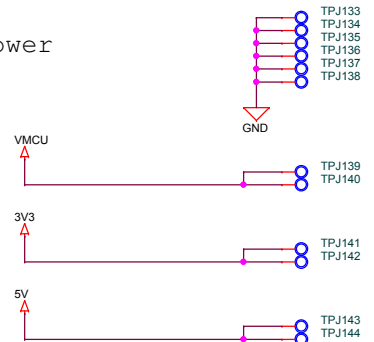
User pushbuttons



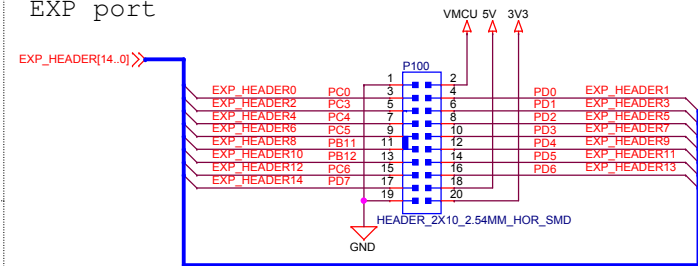
LESENSE LC-Sensor



Power



EXP port



EXP Communication

SPI	MOSI-PD0 MISO-PD1 CLK-PD2 CS-PD3
I2C1	SDA-PC4 SCL-PC5
UART	TX-PD0 RX-PD1
LEUART	TX-PD4 RX-PD5

32MB NAND Flash

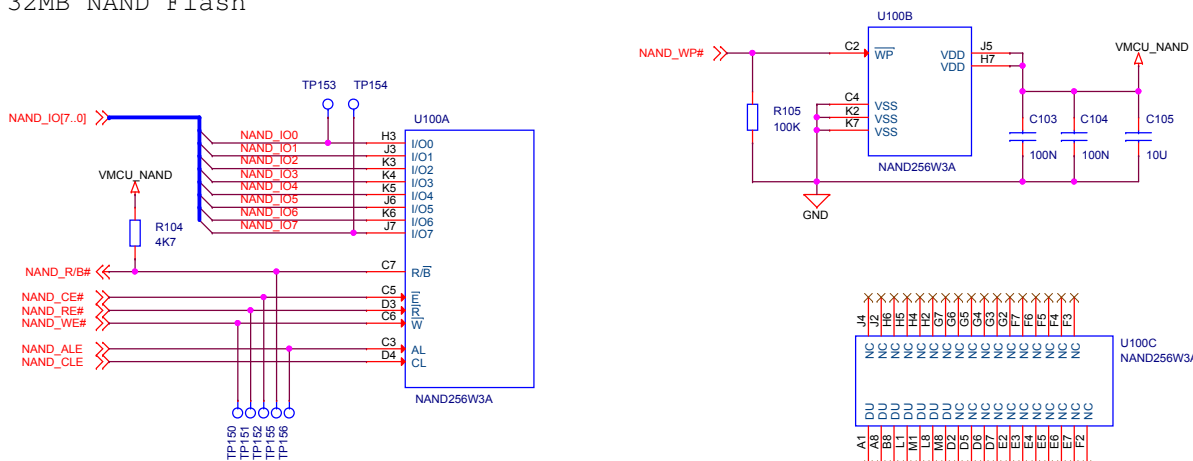
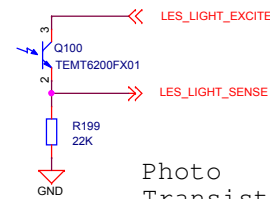
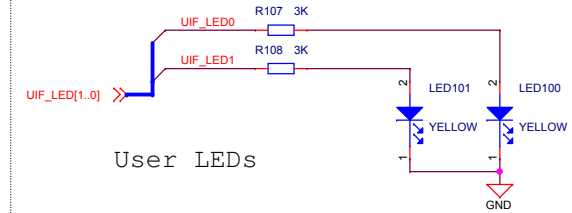


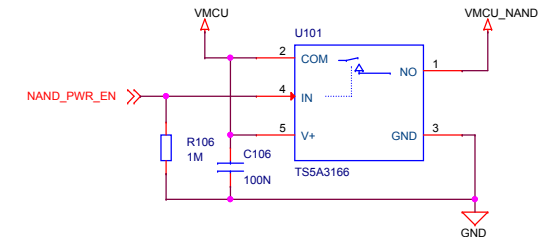
Photo Transistor



User LEDs

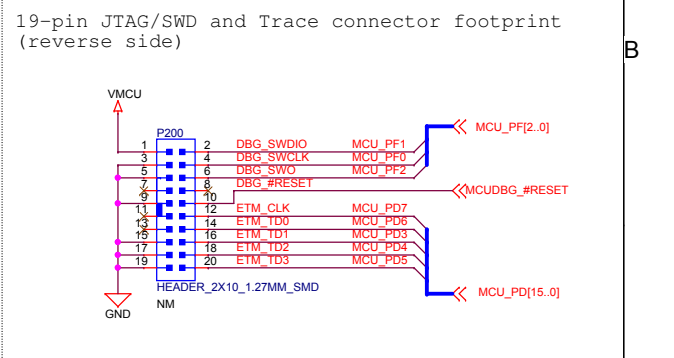
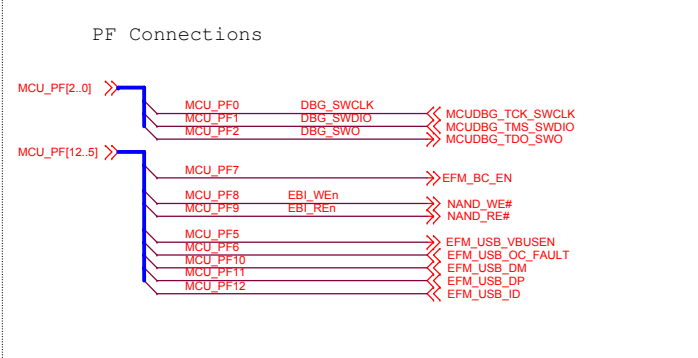
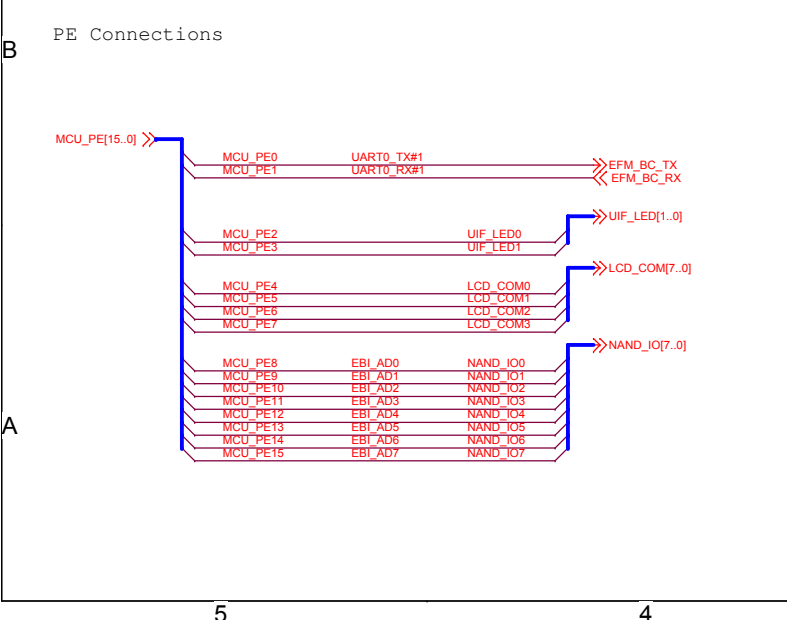
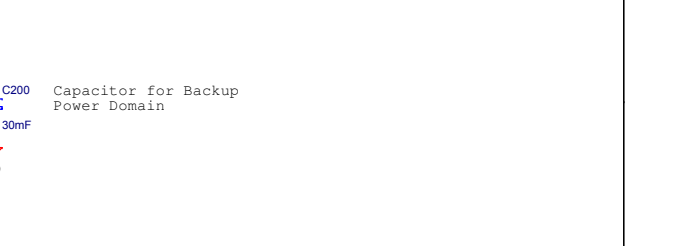
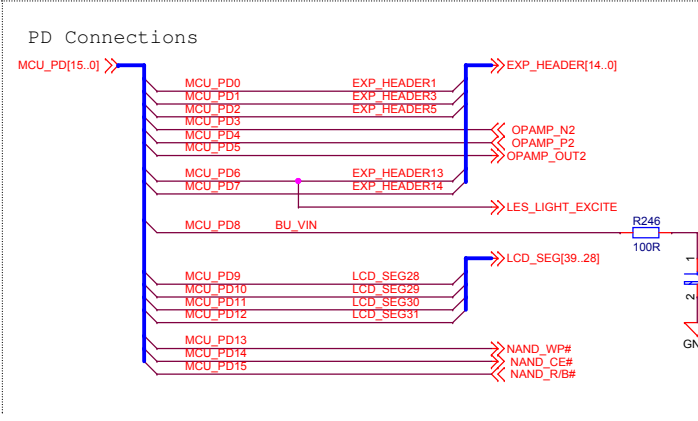
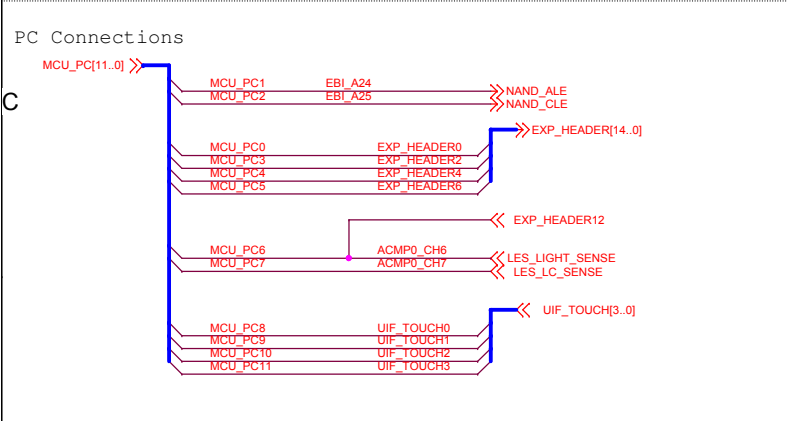
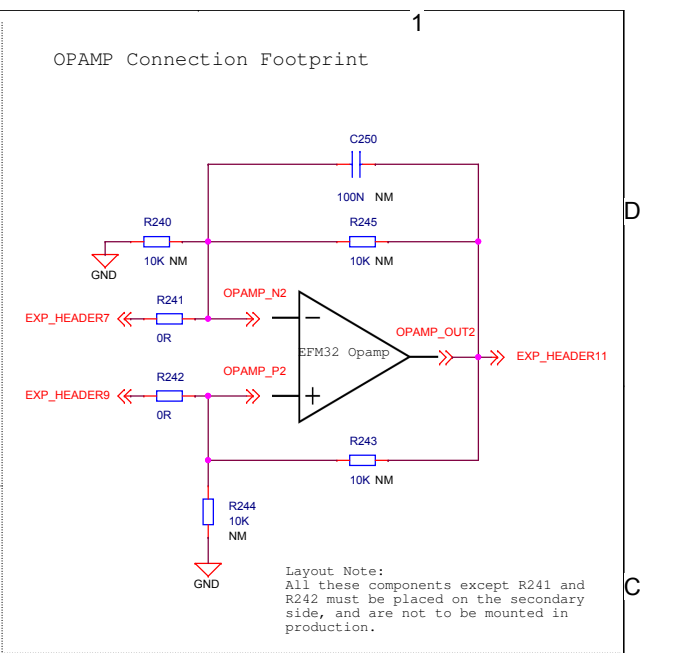
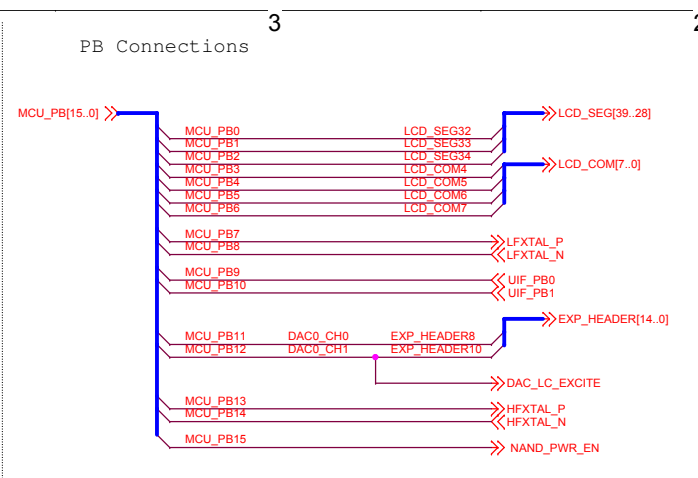
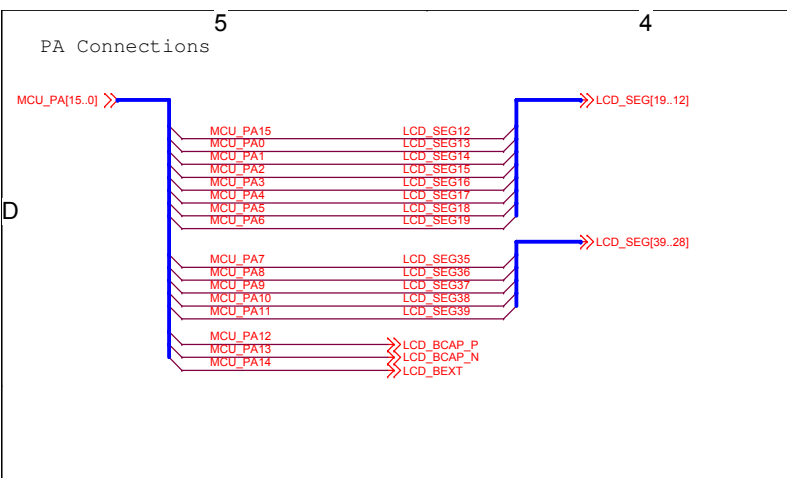


NAND Power



STK

		Schematic Title	
		EFM32 Giant Gecko Starter Kit	
Designed: DDB Approved: JNO		Page Title	
		User Interfaces	
Size: A3	BOM Doc No:	Document number	Revision
Design Created Date:	Wednesday, December 03, 2008	BRD2200A	A03
Sheet Created Date:	Saturday, March 21, 2009	Sheet Modified Date:	Tuesday, April 18, 2017
		Sheet 2 of 10	



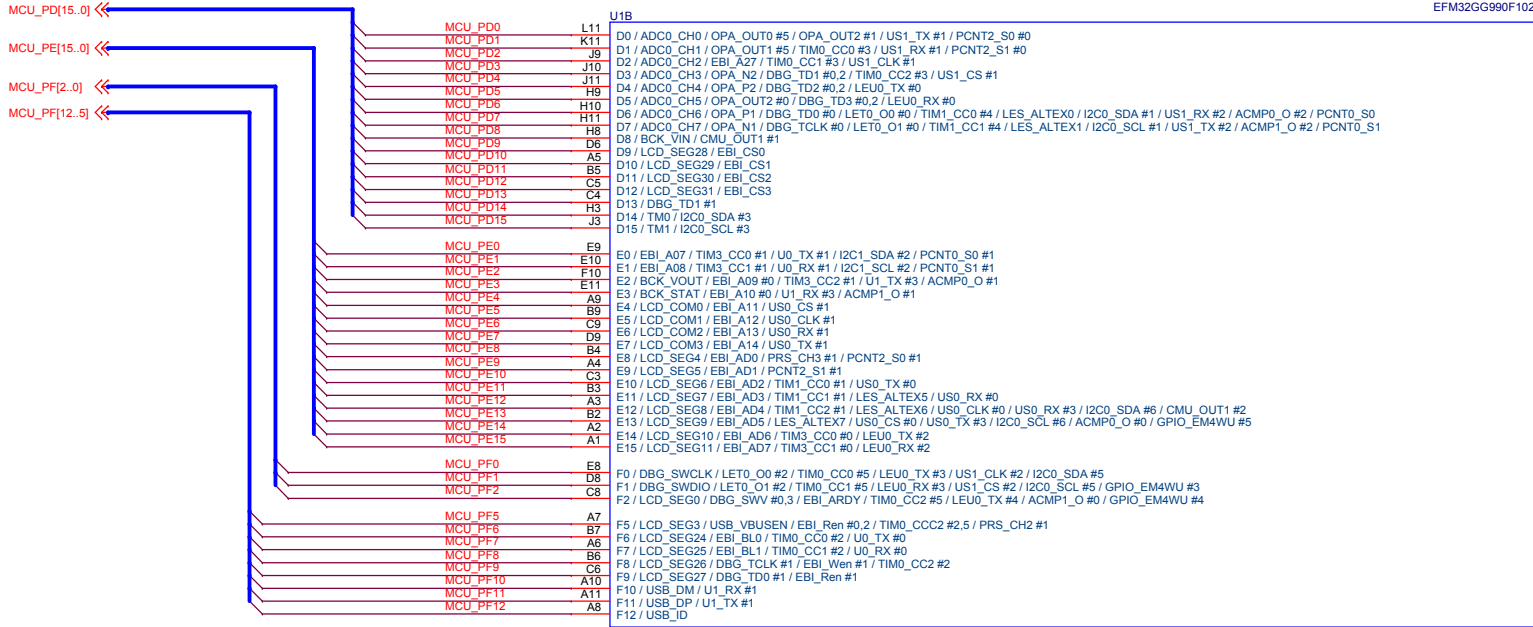
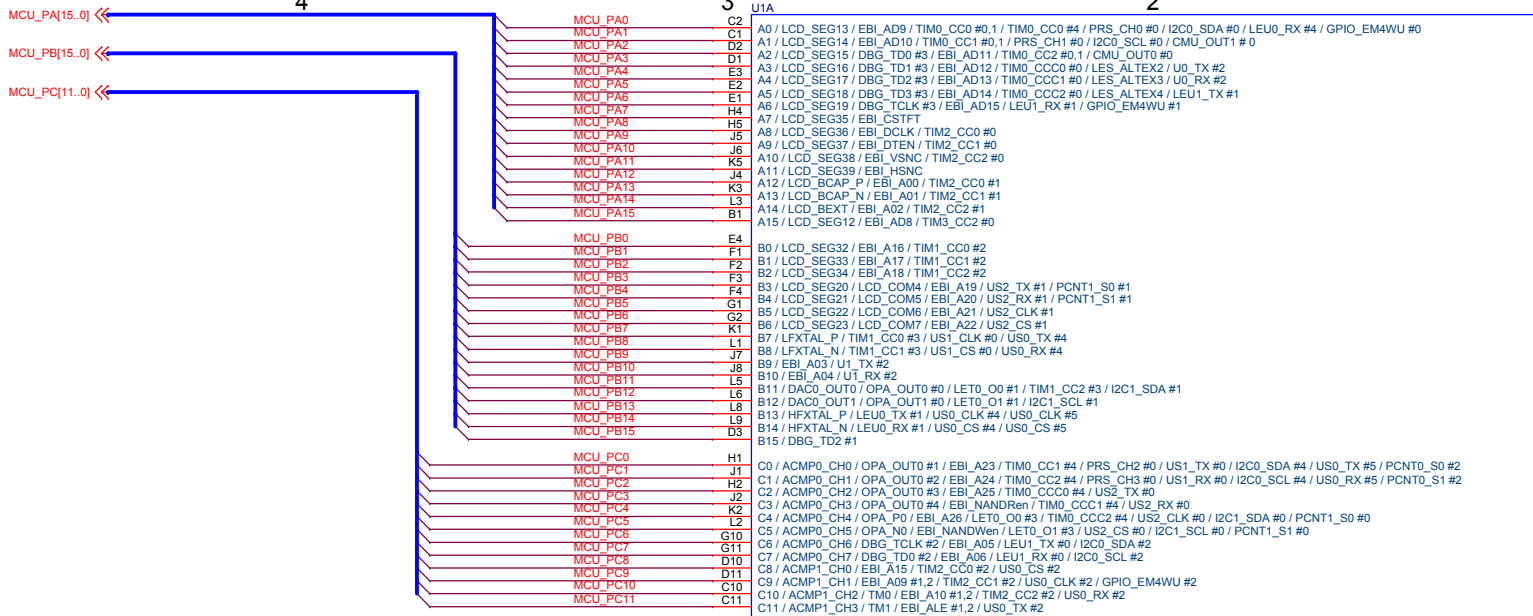
STK

SILICON LABS

Designed: DDB		Approved: JNO	
Size: A3	BOM Doc No: <Cage Code>	Document number: BRD2200A	
Design Created Date: Wednesday, December 03, 2008		Sheet Created Date: Friday, January 15, 2010	Sheet Modified Date: Tuesday, April 18, 2017
		Revision: A03	Sheet 3 of 10


Schematic Title: **EFM32 Giant Gecko Starter Kit**

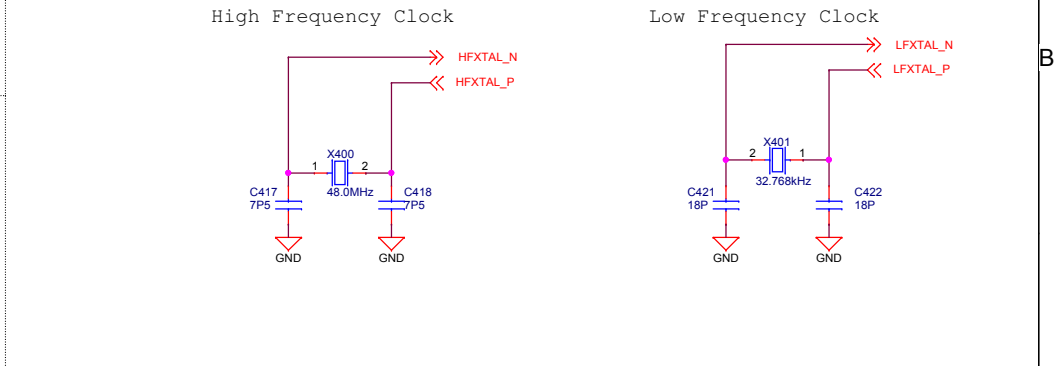
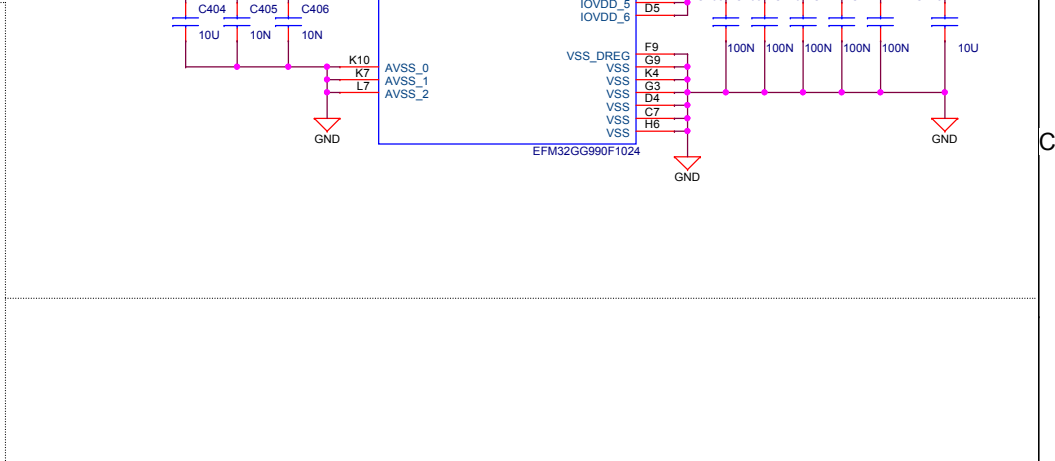
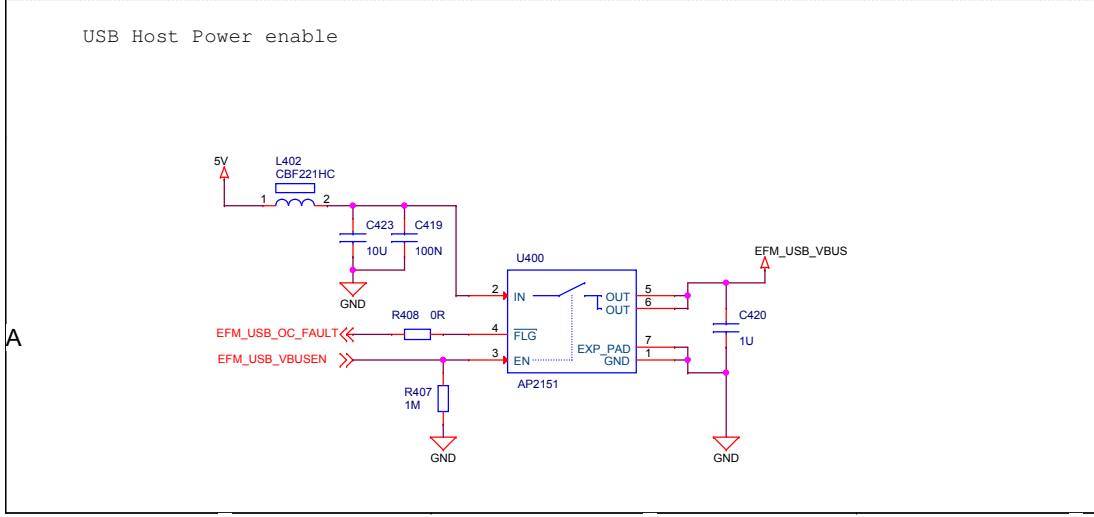
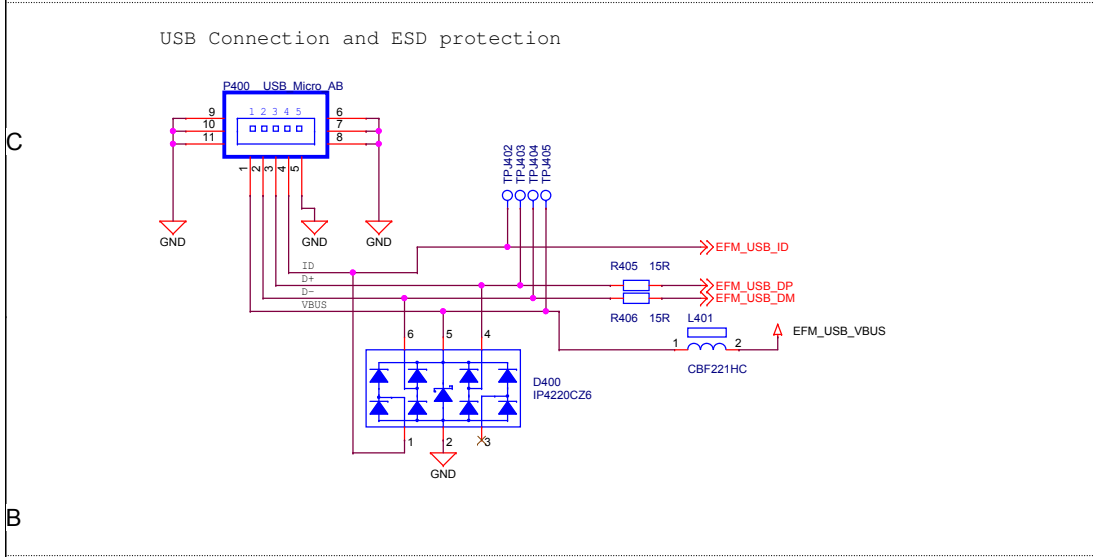
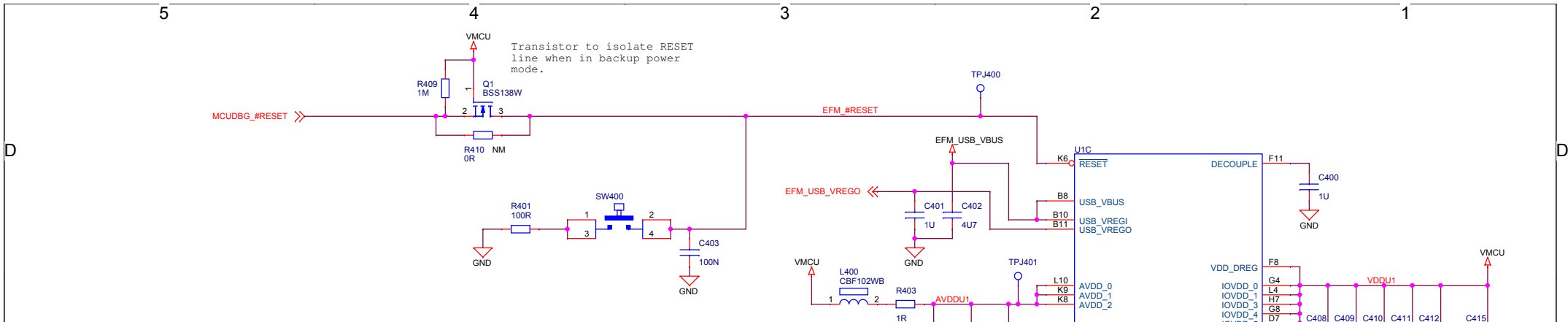
Page Title: **Signal Assignments**



EFM32GG990F1024

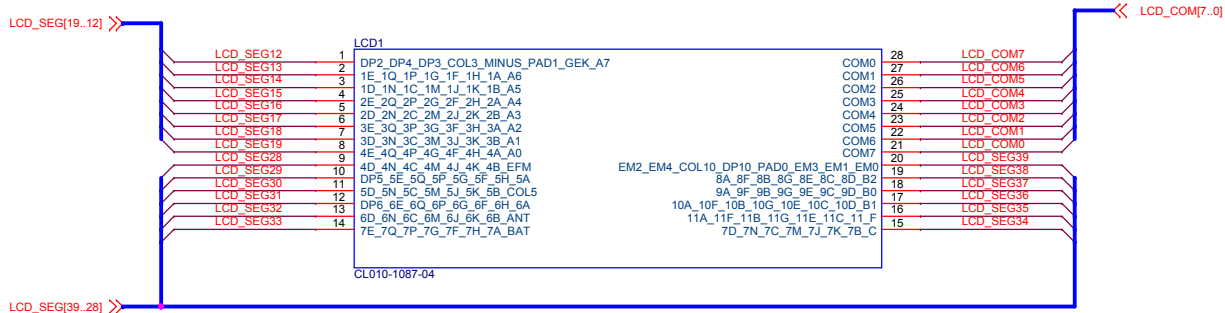
EFM32GG990F1024

 SILICON LABS		Schematic Title	
		EFM32 Giant Gecko Starter Kit	
Designed: DDB Approved: JNO		Page Title	
		EFM32 I/O	
Size: A3	BOM Doc No: <Cage Code>	Document number	Revision
Design Created Date: Wednesday, December 03, 2008		BRD2200A	A03
	Sheet Created Date: Tuesday, January 12, 2010	Sheet Modified Date: Tuesday, April 18, 2017	Sheet 4 of 10

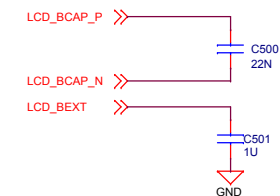


		Schematic Title	
		EFM32 Giant Gecko Starter Kit	
Designed: DDB Approved: JNO		Page Title	
		EFM32 Power & USB	
Size: A3	BOM Doc No: <Cage Code>	Document number	Revision
Design Created Date: Wednesday, December 03, 2008		BRD2200A	A03
	Sheet Created Date: Tuesday, January 12, 2010	Sheet Modified Date: Tuesday, April 18, 2017	Sheet 5 of 10

LCD signal connections



LCD Boost

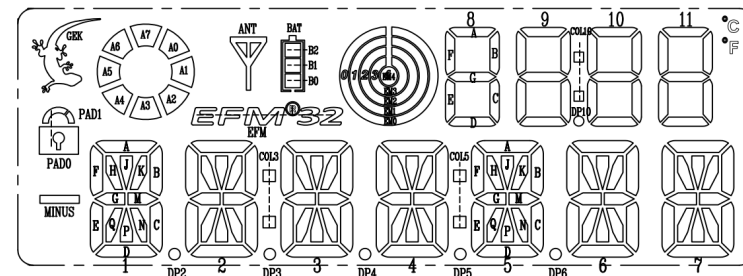


Segment names

PIN	1	2	3	4	5	6	7	8	9	10	11	12	13	14
---	S0	S1	S2	S3	S4	S5	S6	S7	S8	S9	S10	S11	S12	S13
COM0	DP2	1 E	1 D	2 E	2 D	3 E	3 D	4 E	4 D	DP5	5 D	DP6	6 D	7 E
COM1	DP4	1 Q	1 N	2 Q	2 N	3 Q	3 N	4 Q	4 N	5 E	5 N	6 E	6 N	7 Q
COM2	DP3	1 P	1 C	2 P	2 C	3 P	3 C	4 P	4 C	5 Q	5 C	6 Q	6 C	7 P
COM3	COL3	1 G	1 M	2 G	2 M	3 G	3 M	4 G	4 M	5 P	5 M	6 P	6 M	7 G
COM4	MINUS	1 F	1 J	2 F	2 J	3 F	3 J	4 F	4 J	5 G	5 J	6 G	6 J	7 F
COM5	PAD1	1 H	1 K	2 H	2 K	3 H	3 K	4 H	4 K	5 F	5 K	6 F	6 K	7 H
COM6	GEK	1 A	1 B	2 A	2 B	3 A	3 B	4 A	4 B	5 H	5 B	6 H	6 B	7 A
COM7	A7	A6	A5	A4	A3	A2	A1	A0	EFM	5 A	COL5	6 A	ANT	BAT

PIN	15	16	17	18	19	20	21	22	23	24	25	26	27	28
---	S14	S15	S16	S17	S18	S19	COM7	COM6	COM5	COM4	COM3	COM2	COM1	COM0
COM0	7 D	11 A	10 A	9 A	8 A	EM2								COM0
COM1	7 N	11 F	10 F	9 F	8 F	EM4							COM1	
COM2	7 C	11 B	10 B	9 B	8 B	COL10						COM2		
COM3	7 M	11 G	10 G	9 G	8 G	DP10					COM3			
COM4	7 J	11 E	10 E	9 E	8 E	PADO				COM4				
COM5	7 K	11 C	10 C	9 C	8 C	EM3								
COM6	7 B	11 D	10 D	9 D	8 D	EM1		COM6						
COM7	°C	°F	B1	B0	B2	EM0	COM7							

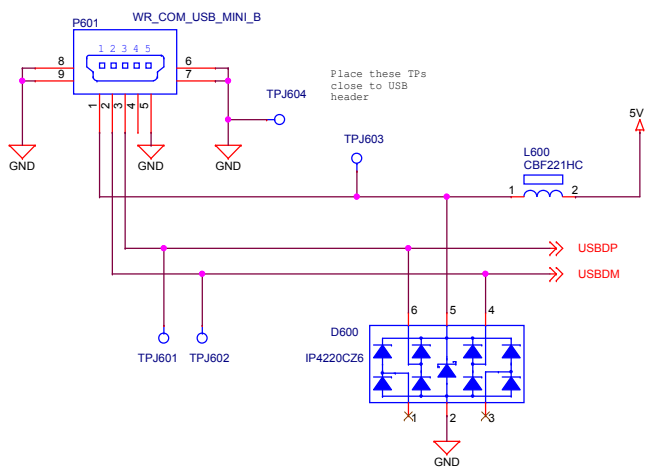
Segment placement



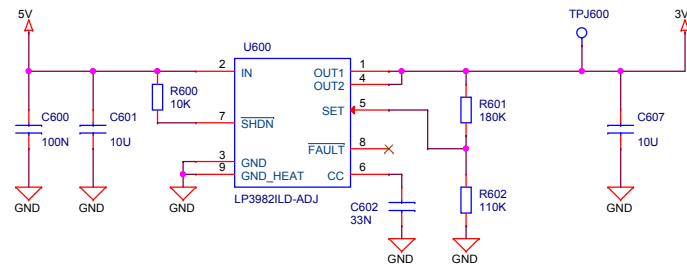
STK

<p>SILICON LABS</p>	Schematic Title		
	EFM32 Giant Gecko Starter Kit		
Page Title			
LCD			
Designed: DDB	Approved: JNO	Document number	
Size: A3		BRD2200A	
Design Created Date: Wednesday, December 03, 2008		Sheet Created Date: Tuesday, January 12, 2010	Sheet Modified Date: Tuesday, April 18, 2017
BOM Doc No: <Cage Code>		Revision	A03
		Sheet 6 of 10	

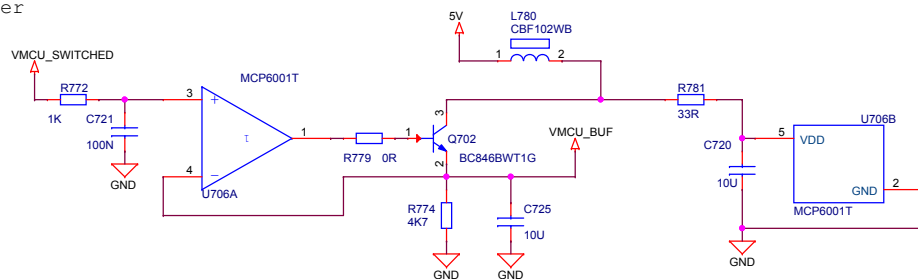
Power input



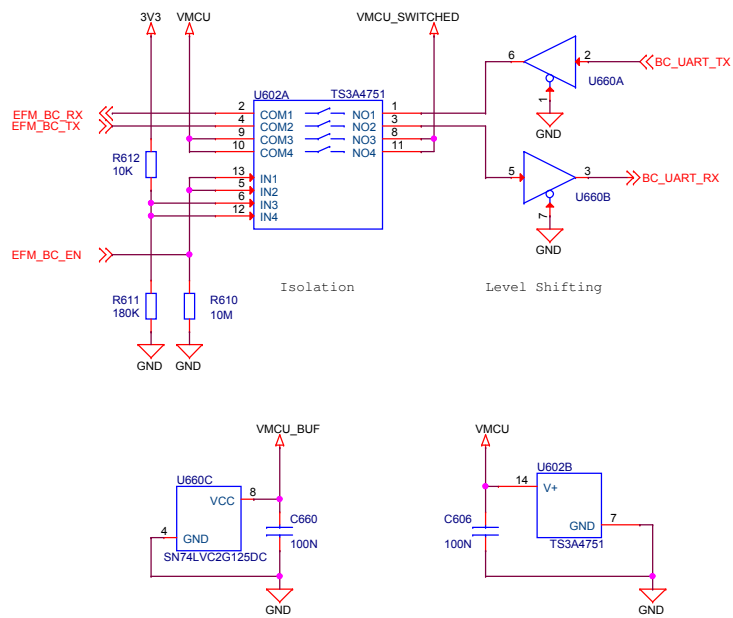
3V3 Regulator



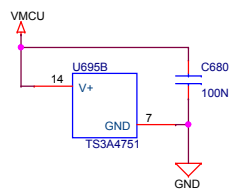
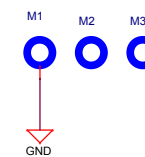
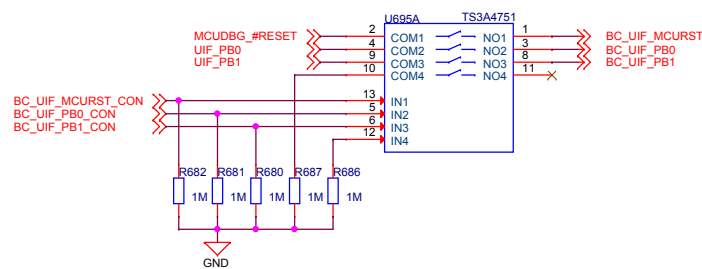
VMCU_DBG power



VMCU Switch
Board Controller communication switch

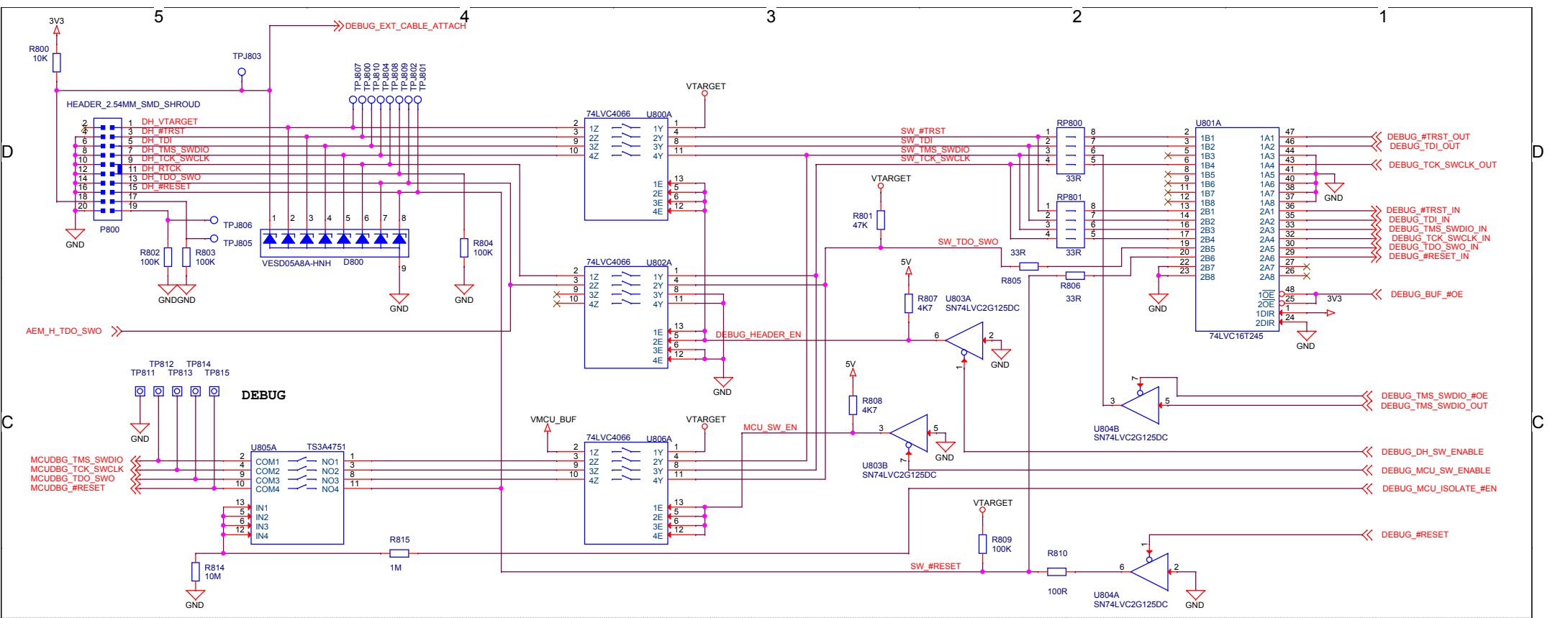


User input to board controller

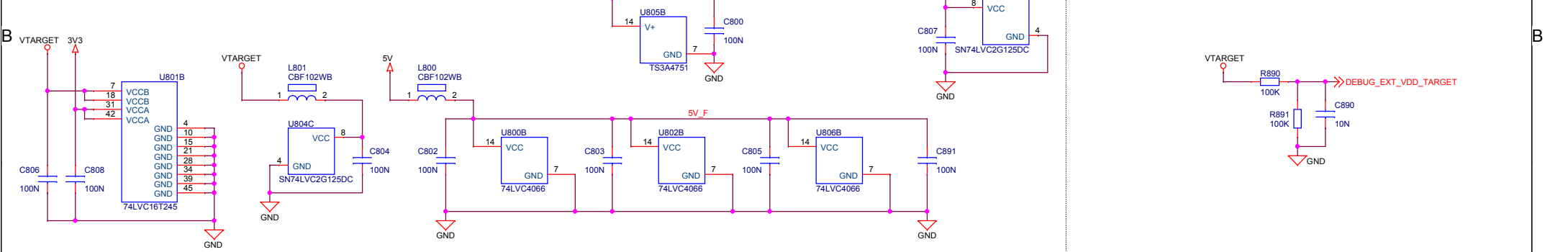


STK

<p>SILICON LABS</p>		Schematic Title	
		EFM32 Giant Gecko Starter Kit	
Designed: DDB Approved: JNO		Page Title	
		Power & Misc	
Size: A3	BOM Doc No: <Cage Code>	Document number	
BRD2200A		Revision	
Design Created Date: Wednesday, December 03, 2008		Sheet Created Date: Saturday, March 21, 2009	Sheet Modified Date: Tuesday, April 18, 2017
		Sheet 7 of 10	



Power & Decoupling



Mode	DEBUG_MCU_SW_ENABLE	DEBUG_DH_SW_ENABLE	DEBUG_BUF_#OE	ISOLATE_#EN	DH_VTARGET	VTARGET
Debug Out	0	1	0	0	External voltage	External voltage
MCU Debug	1	0	0	1	Disconnected	VMCU
Debug In	1	1	1	1	VMCU	VMCU
Debug Off	1	1	1	0	-	-

STK

Schematic Title
EFM32 Giant Gecko Starter Kit

Page Title
Debug Interface

Designed: DDB | Approved: JNO

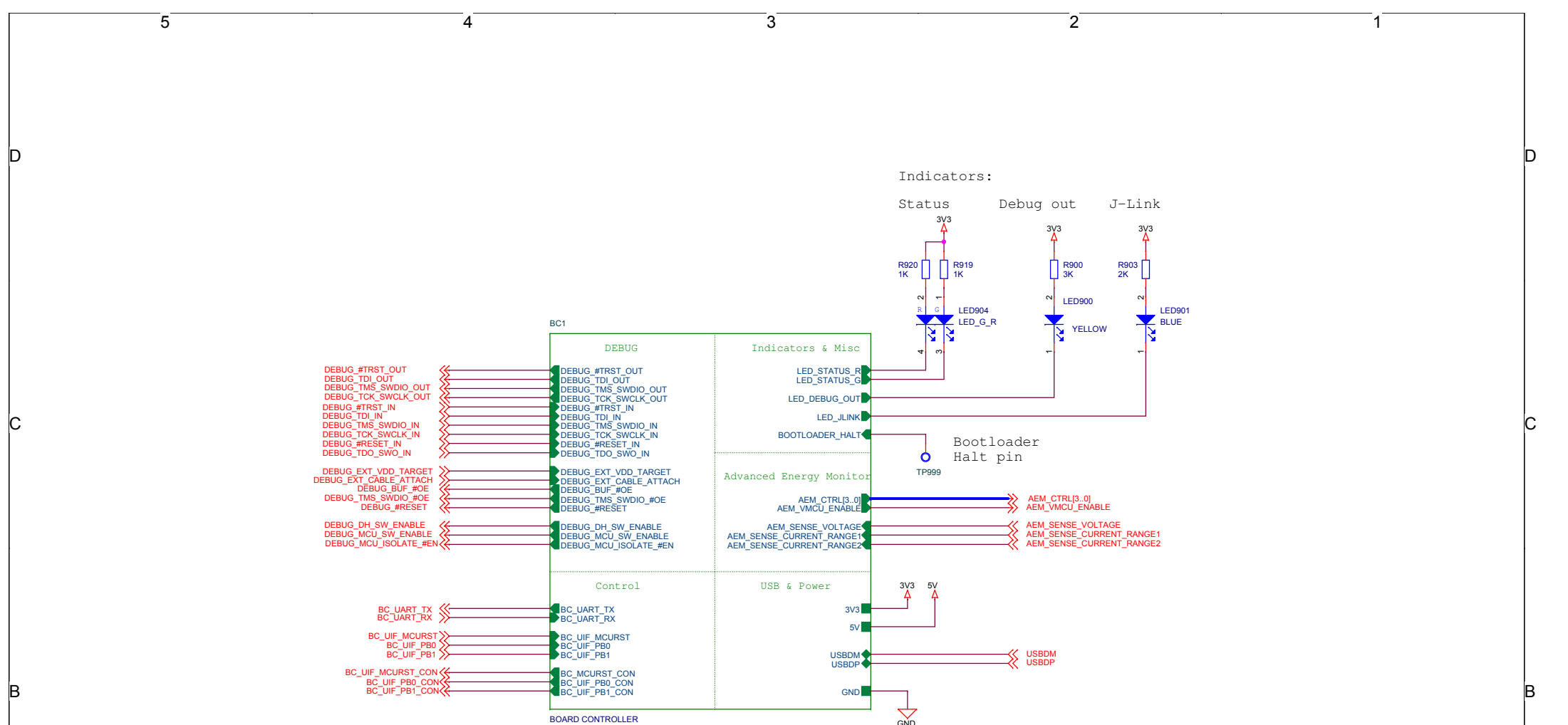
Size: A3 | BOM Doc No: <Cage Code>


Design Created Date: Wednesday, December 03, 2008

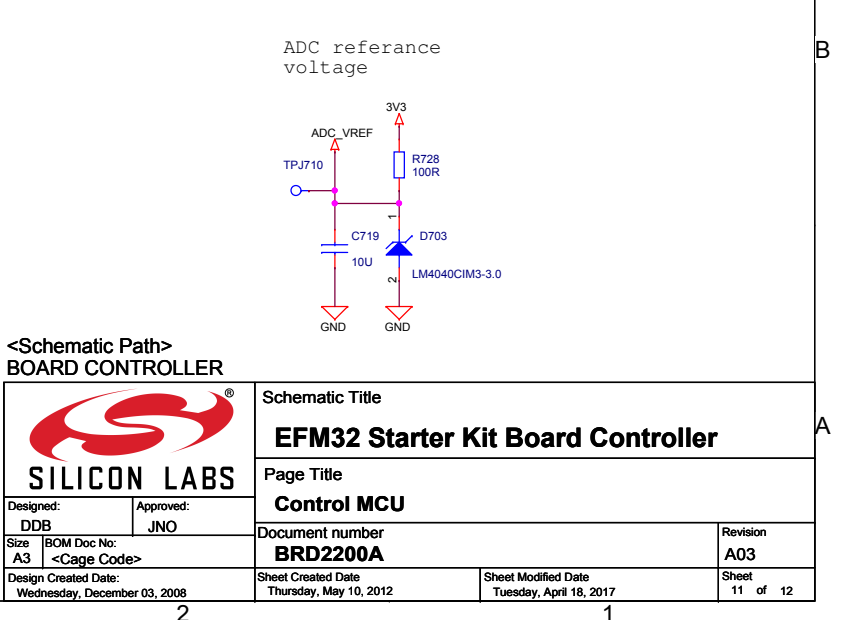
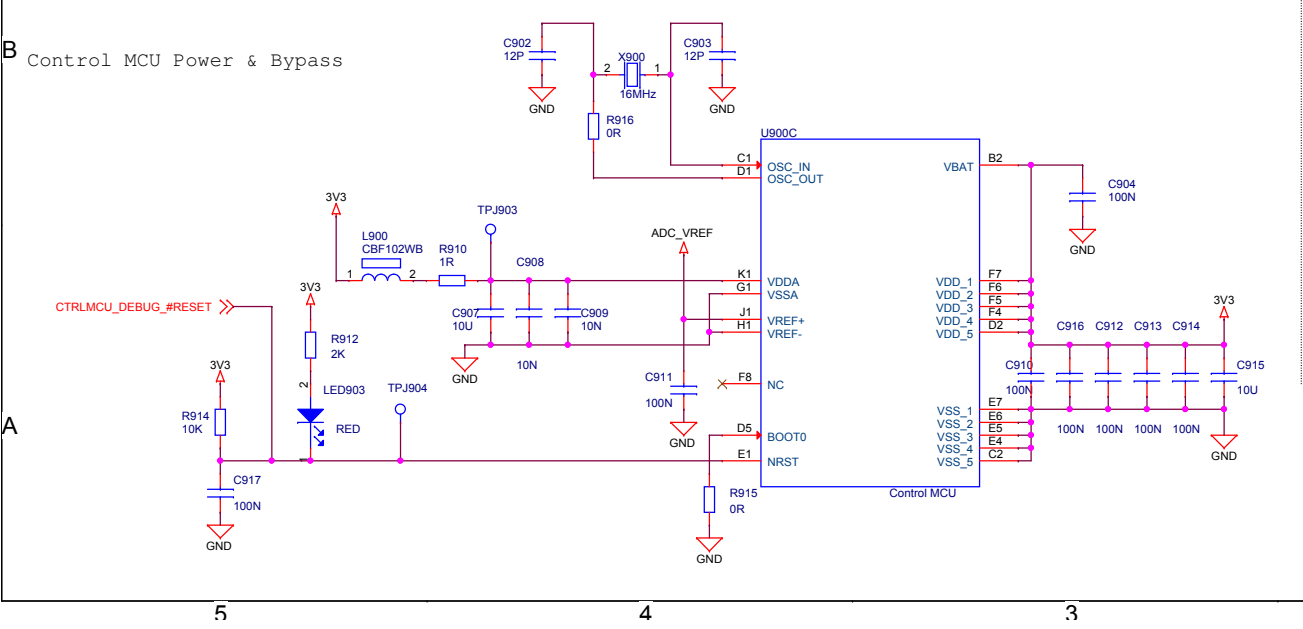
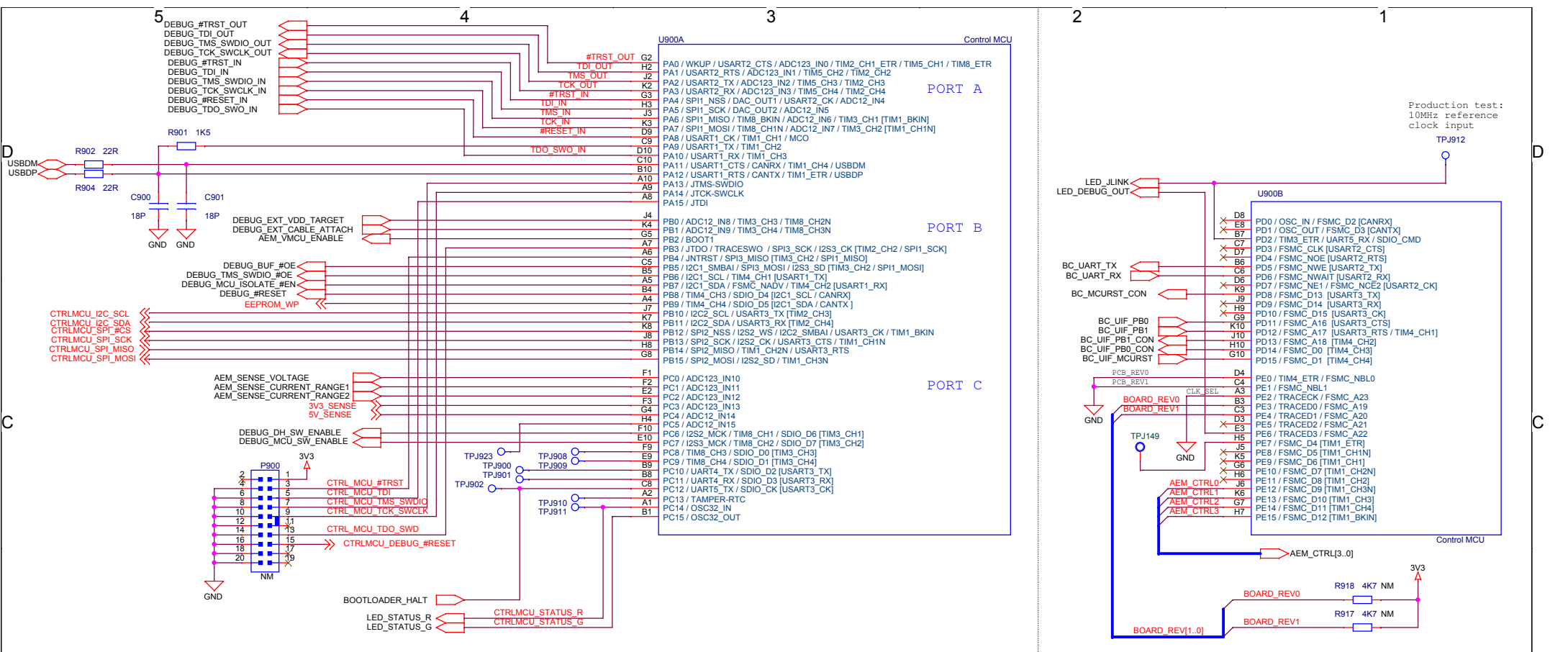
Document number
BRD2200A

Revision
A03

Sheet Created Date: Saturday, March 21, 2009 | Sheet Modified Date: Tuesday, April 18, 2017 | Sheet 9 of 10



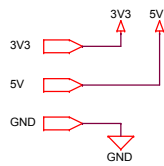
 SILICON LABS		Schematic Title	
		EFM32 Giant Gecko Starter Kit	
Designed: DDB Approved: JNO		Page Title	
		Board Controller	
Size: A3	BOM Doc No: <Cage Code>	Document number	Revision
		BRD2200A	A03
Design Created Date: Wednesday, December 03, 2008	Sheet Created Date: Saturday, March 21, 2009	Sheet Modified Date: Tuesday, April 18, 2017	Sheet 10 of 10



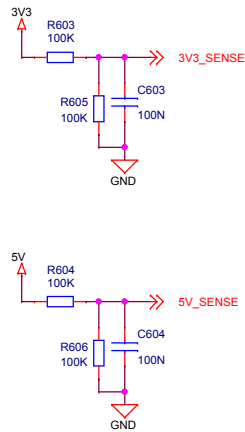
<Schematic Path>
BOARD CONTROLLER

		Schematic Title	
		EFM32 Starter Kit Board Controller	
Designed: DDB Approved: JNO		Page Title	
		Control MCU	
Size: A3	BOM Doc No: <Cage Code>	Document number	Revision
Design Created Date: Wednesday, December 03, 2008		BRD2200A	A03
	Sheet Created Date: Thursday, May 10, 2012	Sheet Modified Date: Tuesday, April 18, 2017	Sheet 11 of 12

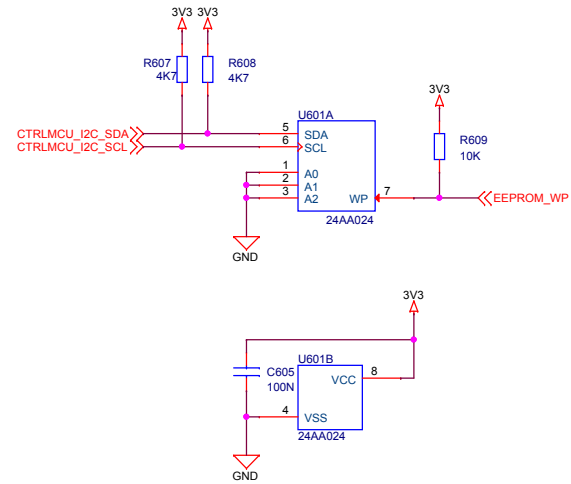
POWER INPUTS



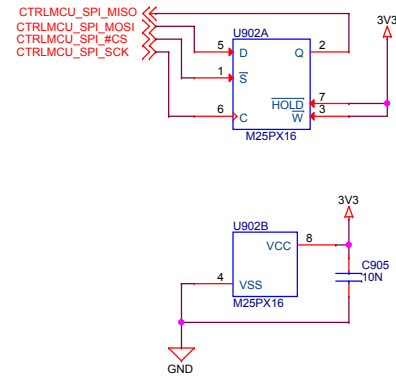
POWER SENSE



CTRLMCU EEPROM



CTRLMCU SERIAL FLASH



<Schematic Path>
BOARD CONTROLLER

 SILICON LABS		Schematic Title	
		EFM32 Starter Kit Board Controller	
Designed: DDB Approved: JNO		Page Title	
		Board Controller Misc	
Size: A3	BOM Doc No: <Cage Code>	Document number	Revision
Design Created Date: Wednesday, December 03, 2008		BRD2200A	A03
	Sheet Created Date: Thursday, May 10, 2012	Sheet Modified Date: Tuesday, April 18, 2017	Sheet 12 of 12